

MODEL PT-66

SPECIFICATIONS

Model PT-66 is a five tube, electric push-button tuning, superheterodyne radio with a manual tuning range covering 540 to 1580 K. C. In addition a loop aerial is built into the cabinet for portable use. Aerial connections are also provided in the rear of the cabinet for an external aerial. If an outside aerial is necessary, the Philco Utility Aerial, Part No. 40-6384 is recommended.

Six electric push-buttons are provided on this model. Five of the push-buttons are used for stations and one push-button for selecting dial tuning. The push-buttons cover a frequency range as follows: 540 to 1600 kilocycles.

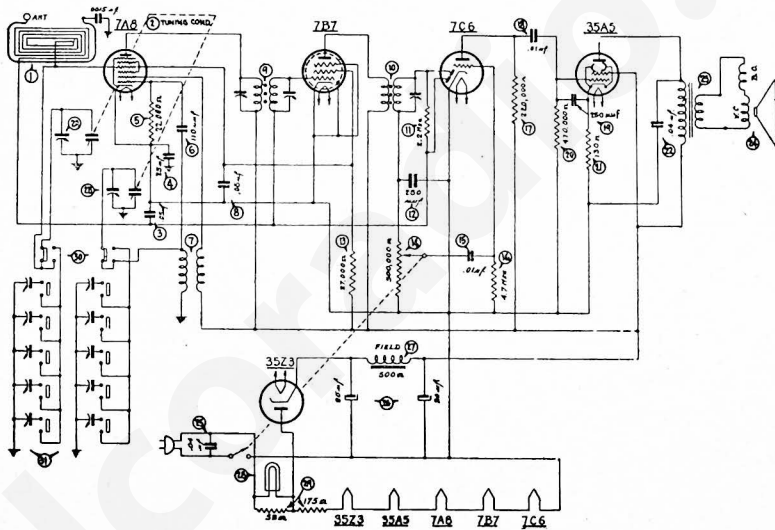
The procedure for adjusting and operating electric push-buttons will be found on page 10.

INTERMEDIATE FREQUENCY: 455 K. C.

POWER SUPPLY: Operates on either a 115 volt alternating current (A. C.) or 115 volt direct current (D. C.) power supply.

PHILCO TUBES USED: One 7A8, converter; one 7B7, I. F. amplifier; one 7C6, 2nd detector, 1st audio, A. V. C.; one 35A5, audio output and one 35Z3, rectifier.

ALIGNING PROCEDURE: The aligning procedure for this model will be found on page 8.



REPLACEMENT PARTS

SCHE. No.	DESCRIPTION	PART No.	SCHE. No.	DESCRIPTION	PART No.	SCHE. No.	DESCRIPTION	PART No.
1	Loop Antenna Assembly	32-3186	21	Resistor (130 ohms, 1/2 watt)	33-113388			
2	Tuning Condenser	31-2449	22	Tubular Condenser (.04 mf., 400 v.)	30-4119			
3	Tubular Condenser (.05 mf., 200 v.)	30-4519	23	Output Transformer				
4	Tubular Condenser (.25 mf., 400 v.)	30-4604		(for Speaker 36-1469-1)	32-8047			
5	Resistor (22,000 ohms, 1/2 watt)	33-322154		(for Speaker 36-1469-9)	32-8044			
6	Mica Condenser (110 mmf.)	30-1130		(for Speaker 36-1469-2)	32-8044			
7	Oscillator Transformer	32-3152	24	Speaker	36-1469			
8	Tubular Condenser (.05 mf., 200 v.)	30-4519		Cone Assembly				
9	1st I. F. Transformer	32-3177		(for Speaker 36-1469-9)	36-4113			
10	2nd I. F. Transformer	32-3178		(for Speaker 36-1469-1)	36-4115			
11	Resistor (2.2 megs., 1/2 watt)	33-522154		(for Speaker 36-1469-2)	36-4132			
12	Mica Condenser (250 mmf.)	61-0033	25	Tubular Condenser (.04 mf., 400 v.)	30-4119			
13	Resistor (27,000 ohms, 1/2 watt)	33-327334	26	Electrolytic Condenser				
14	Volume Control (500,000 ohms)	33-5306		(20-20 mf., 150 v.)	30-2382			
15	Tubular Condenser (.01 mf., 200 v.)	30-4479	27	Field Coil—Part of Speaker No.	36-1469			
16	Resistor (4.7 megs., 1/2 watt)	33-547154	28	Pilot Lamp	34-2088			
17	Resistor (220,000 ohms, 1/2 watt)	33-442154	29	Line Resistor	33-3387			
18	Tubular Condenser (.01 mf., 400 v.)	30-4572	30	Push Button Switch	42-1485			
19	Mica Condenser (250 mmf.)	61-0033	31	Padding Condenser Strip	31-6296			
20	Resistor (470,000 ohms, 1/2 watt)	33-447154						

MISCELLANEOUS PARTS

Cable (Power)	1-3199
Cabinet	10468A
Clip (Coil Mounting)	28-5002
Dial	27-5570
Drive Cord	31-2358
Drive Shaft	31-2370
Knob (Tuning, Volume)	27-4950
Knob (Push-Button)	27-4952
Pointer	27-4891
Speaker	36-1469
Spring (Drive Cord)	28-8954
Screw (Chassis Mounting)	W-2030
Snap Fastener (Dial)	56-1387
Socket (Pilot Lamp Assembly)	38-9825
Socket (Tubes)	27-6130
Tab Kit	40-6473
Tab (Dial)	27-5526